

DS-M7508HNI Series Mobile NVR



Features and Functions

- User-friendly GUI providing easy and flexible operations
- Pluggable 3G (WCDMA) or 4G(LTE-TDD) module providing flexible data transmission solutions
- Pluggable GPS (Global Positioning System) module precisely positioning the vehicle via the satellite and recording the location information in the video stream
- IP camera connection with Hikvision private protocol and ONVIF protocol supported;
- 8 RJ45 independent network interfaces connectable to 8 IP cameras; each channel supports up to 1080P resolution with H.264 encoding technology
- 3-ch CVBS video outputs and 3-ch audio outputs
- 1-ch VGA video output at up to 1920×1080 resolution
- Two pluggable 2.5-inch HDDs/SSDs, adopting hard disk vibration damping technology
- Information collection interfaces collect driving information such as left/right turn, braking, backing up, etc.
- Specialized aviation plugs ensure signal stability
- Built-in G-sensor detects and records acceleration speed information in 3-axial (X, Y, Z) directions
- Delay (0 h to 6 h) shutdown and 24-hour scheduled startup/shutdown
- Wide-range power input (+9VDC to +32 VDC)
- Power-off protection prevents key data from loss
- Aluminum die-cast chassis with no fan design well adaptable to working environment
- Software-based firewall supported
- PTZ control is supported
- Hard disk box with USB interface supports intelligent temperature control and data export;
- Support accessing via WEB browser
- EN50155 certification

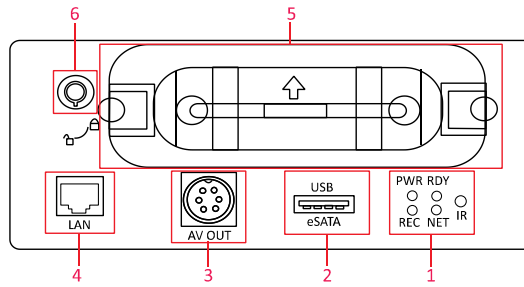


Specifications

Model		DS-M7508HNI
Video/Audio input	IP video input	8-ch
	Audio input	8-ch
Video/Audio output	VGA output	1-ch, Resolution: 1920 × 1080/60Hz, 1280 × 1024/60Hz, 1280 × 720/60Hz, 1024 × 768/60Hz
	CVBS output	3-ch, Aviation plug (1.0 Vp-p, 75 Ω); Resolution: PAL: 704 × 576, NTSC: 704 × 480
	Audio output	3-ch, Aviation plug (linear level, 600 Ω)
Decoding parameters	Video compression	H.264
	Frame rate	25 fps (PAL)/30 (NTSC)
	Audio compression	G.711
	Playback	Local playback: single channel playback; Web playback: single channel playback and multi-channel synchronous playback.
Hard disk	Type	Two 2.5-inch SATA HDDs/SSDs
	Capacity	Up to 1TB capacity for each disk supported
	Installation	Pluggable
	Protection	Patented 3-generation hard disk box
	Backup	USB interfaces on hard disk box and device front panel supporting data backup
Wireless Network	Dialing	3G (WCDMA) and 4G (LTE-TDD) optional
	Wi-Fi	802.11 b/g/n supported, 2.4GHz
Positioning	GNSS	GPS
External interface	Two-way audio	1-ch, G. 722
	Sensor-in	4 high/low level signal inputs; 1 pulse signal input (reserved)
	Alarm input	3 high/low level signal inputs
	Alarm output	2 signal outputs
	Network interface	1 RJ45 10M/100M self-adaptive Ethernet interface.
	Serial interface	1 RS-232 interface. 1 RS-422 interface, including reserved auto announcer interface.
	USB interface	1 USB2.0 interface on the front panel;
	PoE interface	8 RJ45 10M/100M self-adaptive PoE interfaces, 802.3af, Total consumption: 40W
	eSATA interface	1
	EXP.STOR	Connectable to external HDD for storage expansion (reserved)
	SIM card	1, standard SIM card slot
General	Operating system	Embedded Linux operation system
	Operating method	Local operation, IR remote control, Web operation
	Power supply	9 to 32 VDC
	Consumption	Standby: Max. 0.5W; Full load: Max.20W (without IP cameras or hard disks)
	Working temperature	-10° C to +55° C (14° F to 131° F) with enterprise-class HDD; -20° C to +60° C (-4° F to 140° F) with industrial-class HDD. Note: for enterprise-class HDD, when the temperature < 0 °C, the heater for hard disk is needed.
	Working humidity	10% to 90%
	Dimensions (W×D×H)	245.8mm×202mm×86.87mm)
	Weight	≤ 3.5kg (7.72 lb) (without hard disk)

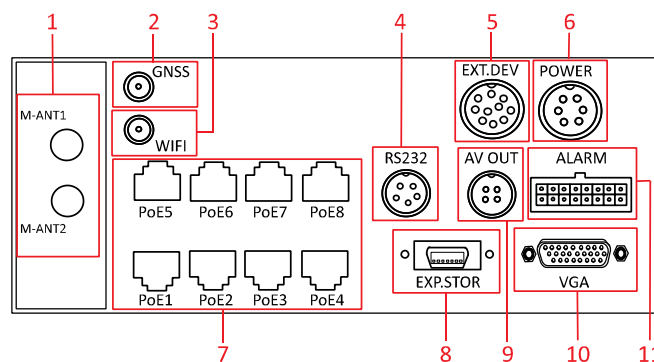
Physical Interfaces

Front Panel



Rear Panel

Index	Description	Index	Description
1	Indicators LAN Network Interface	4	RJ45 10M/100M self-adaptive Ethernet interface
2	USB Interface, eSATA interface	5	Hard disk box (support 2.5-inch SATA HDDs / SSDs)
3	Aviation AV OUT	6	Hard disk box lock



Index	Description	Index	Description
1	3G/4G antenna interfaces (M-ANT2, reserved)	7	4-pin Rj45 PoE network interface
2	GPS antenna interface	8	Connectable to external storage device
3	Wi-Fi antenna interface	9	4-pin aviation AV OUT
4	5-pin aviation RS232 interface	10	VGA interface
5	EXT. DEV (audio output, two-way audio and RS-422)	11	I/O (including alarm in, alarm out and sensor in)
6	Power supply		

Distributed by

Available Models

DS-M7508HNI
 DS-M7508HNI/GW
 DS-M7508HNI/GW/WI
 DS-M7508HNI/GLF/WI

Headquarters

No.555 Qianmo Road, Binjiang District,
 Hangzhou 310051, China
 T +86-571-8807-5998
 overseasbusiness@hikvision.com

Hikvision USA
 T +1-909-895-0400
 sales.usa@hikvision.com

Hikvision Europe
 T +31-23-5542770
 saleseuro@hikvision.com

Hikvision Middle East
 T +971-4-8816086
 salesme@hikvision.com

Hikvision Russia
 T +7-495-669-67-99
 saleru@hikvision.com

Hikvision India
 T +91-22-28469900
 sales@pramahikvision.com

Hikvision Italy
 T +39-0438-6902
 info.it@hikvision.com

Hikvision France
 T +33(0)1-85-330-444
 info.fr@hikvision.com

Hikvision Spain
 T +34-91-737-16-55
 info.es@hikvision.com

Hikvision Poland
 T +48-22-460-01-50
 poland@hikvision.com

Hikvision UK
 T +44-1628-9021-4
 support.uk@hikvision.com

Hikvision Singapore
 T +65-6684-4718
 sg@hikvision.com

Hikvision Oceania
 T +61-2-8599-4233
 salesau@hikvision.com

Hikvision Hong Kong
 T +852-2151-1761

Hikvision Canada
 T +1-909-895-0400
 sales.usa@hikvision.com