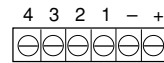


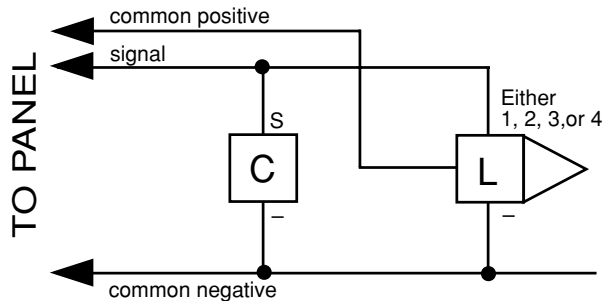
NC806C Mk4 Overdoor Light

Approved Document No: DNU806C100 Rev 2



+ common positive
- common negative
1, 2, 3, 4 signal

EXAMPLE CONFIGURATION

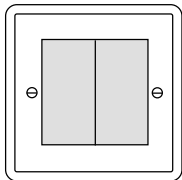


■ Overdoor lights can also be used as area indicators by connecting signal wires from up to 4 zones to the terminals 1, 2, 3, 4 (not emergency systems).

■ To indicate more than four zones use input expanders - for more information contact your supplier.

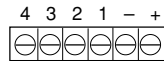
KEY TO DIAGRAM:

C Standard Call Point,
L Overdoor Light



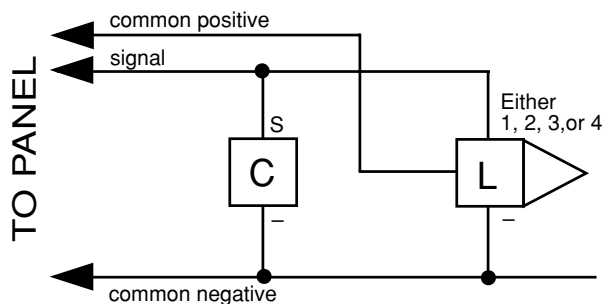
NC806C Mk4 Overdoor Light

Approved Document No: DNU806C100 Rev 2



+ common positive
- common negative
1, 2, 3, 4 signal

EXAMPLE CONFIGURATION

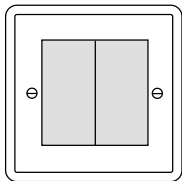


■ Overdoor lights can also be used as area indicators by connecting signal wires from up to 4 zones to the terminals 1, 2, 3, 4 (not emergency systems).

■ To indicate more than four zones use input expanders - for more information contact your supplier.

KEY TO DIAGRAM:

C Standard Call Point,
L Overdoor Light



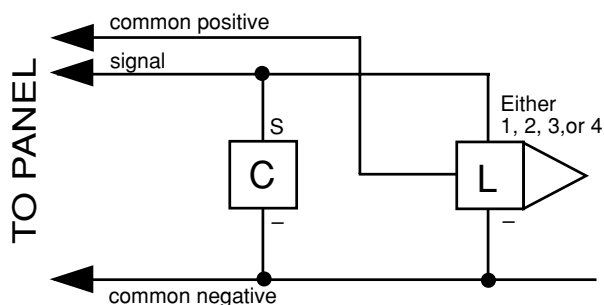
NC806C Mk4 Overdoor Light

Approved Document No: DNU806C100 Rev 2



+ common positive
- common negative
1, 2, 3, 4 signal

EXAMPLE CONFIGURATION



■ Overdoor lights can also be used as area indicators by connecting signal wires from up to 4 zones to the terminals 1, 2, 3, 4 (not emergency systems).

■ To indicate more than four zones use input expanders - for more information contact your supplier.

KEY TO DIAGRAM:

C Standard Call Point,
L Overdoor Light