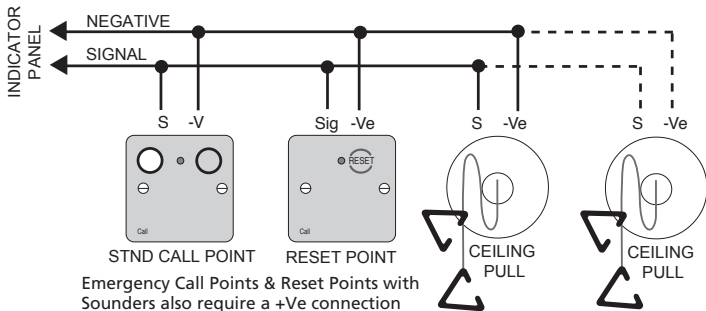


# NC807C Ceiling Pull Unit

DNU8070100 Rev 5

## TYPICAL WIRING CONFIGURATION



Several ceiling pulls may be connected in parallel on one zone.

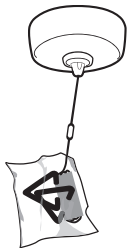
Calls made from ceiling pulls can be reset at:-

- A call point connected in parallel to the ceiling pull
- A reset point connected in parallel to the ceiling pull
- An NC941, NC942 or NC944 call controller
- Any standard indicator panel with its reset button fitted.

Note: Resetting calls at indicator panels is not recommended on nursecall systems as there is a definite requirement for calls to be reset at source.

## INSTALLATION GUIDELINES, HINTS AND TIPS

- Assess the condition of the mounting surface prior to installation and fix the ceiling pull to the ceiling using a suitable screw fixing arrangement.
- Tie the pull cord and its bangles to the ceiling pull as detailed on the pull cord's packaging.
- Keep the cord and bangles clean and tidy by cutting the right hand corner of the bag they are supplied in, threading through 30cm of cord and following steps 1 to 3 below. The cord and bangles can now be left dangling until the bangles are ready to be fitted and the system commissioned.

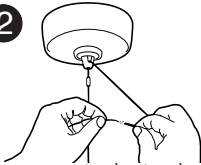


1



Thread the cord through the ceiling pull's centre eye

2



Tie a secure stop knot and trim off any excess cord

3



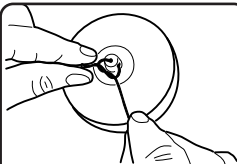
Pull the cord tight to secure the knot inside the centre eye

4

Set the triangles by knotting the cord. Trim off any excess.

800-1000mm  
above floor

100mm  
above floor



TIP: you can further secure the cord by tying an additional knot around the ceiling pull's centre eye as shown

Ceiling pulls are not recommended for applications where there is a risk of ligation (prisons, mental health facilities, etc). In such applications we recommend alternative devices such as tamper-resistant call points.