

Call Points

CXL



The CXL Universal Call Point combines a number of features into one package, simplifying selection and reducing stock variants.

The CXL comes as standard with a plastic and glass element, and its integral LED indicators provides increased flexibility for diverse applications.

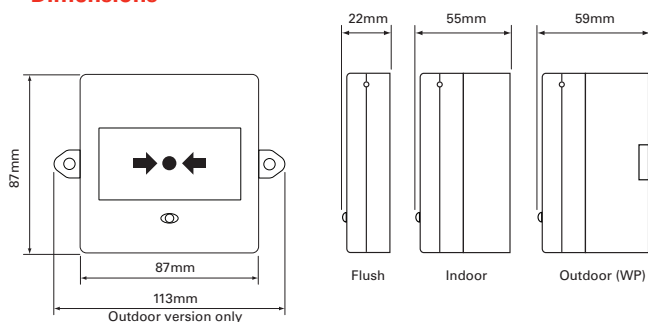
Features

- Choice of glass or plastic elements
- Changeover contacts
- Potted waterproof option
- Flag on re-settable element

Benefits

- Select element depending on location and user preference
- Wide range of usages
- Suitable for outdoor use
- Quick, visible alarm identification

Dimensions



Technical Specification

Voltage	Up to 30Vdc
Resistors	470 / 680
Element Type	Glass / Plastic (resettable)
Temperature	- 10°C to + 55°C - 25°C to + 70°C (WP)
Protection	IP24D, IP66 (WP)
Construction	ABS
Weight	0.19Kg, 0.22Kg (WP)
Colours	Red*

* Other colours available - minimum order required.

Call point range also available in different colours for non-fire applications



Catalogue Numbers

Reference	Cat No	Description
CXL/G/P/R/BB/470+680	4920016FULL-0018XC	Conventional 470R/680R with LED and back box. Includes both glass and Universal plastic resettable elements
CXL/G/P/R/BB/470+680 WP	4990047FULL-0420X	Conventional IP66 470R/680R with LED and back box. Includes both Universal glass and plastic resettable elements

For full list of part numbers, turn to page 83

