

CFP Standard 8 Zone Conventional Fire Alarm Panel

Part No. **CFP708-4**



Overview

LPCB certified to EN54-2/4, C-TEC's CFP 8zone conventional fire alarm panel offers an array of user and installer-friendly features at a very competitive price.

Supplied in an attractive flush or surface mountable plastic enclosure, it includes eight detector zones, four conventional sounder circuits, class change and alert inputs, on-board fire and fault relays and combined keypad/keyswitch entry.

A wide range of engineering functions are also provided including selectable zone delays, coincidence and non-latching zone facilities. Comprehensive test and fault finding facilities are also provided.

Optional repeaters, relay expansion boards and EN54-13 system compliance devices are also available.

More Information

Third-party certified to EN54 parts 2 and 4 by the Loss Prevention Certification Board (LPCB) with optional EN54 part 13 compliance from the BSI.

Intuitive user-friendly interface with colour-coded buttons and combined keypad/keyswitch entry.

Manufactured by C-TEC in the UK.

Eight detector zone circuits.

Four conventional sounder circuits.

Integral 1.5A EN54-4/A2 compliant switch mode PSU.

Wide range of engineering functions including zone test, coincidence, zone delay and non-latching zones.

Two on-board relays (Fire and Fault).

Two open-collector outputs (Remote and Reset).

'Class change' and alert inputs.

Installer-friendly design.

Attractive flush or surface mountable plastic lid and enclosure - no bezel required.

Low 25mA quiescent current.

Multiple indicators.



System expansion connections provided for up to eight two-wire repeaters (one CFP761 network card required per system), optional CFP relay boards and optional EN54-13 compliant sounder circuit boards.

Space for two x 12V 3.3Ah VRLA batteries.

Fully compatible with C-TEC's ActiV range of conventional fire detectors.

Technical Specifications

Approvals/certifications	Certified to EN54-2/4 by the LPCB (176b) / (0832-CPD-1704).
Mains supply	230V 50/60Hz.
Mains rated current	350mA maximum.
Internal power supply	19V-28.5V (27V nominal). Ripple 7V maximum (battery fault).
Total output current limited to	1.5A @ 230Vac (ImaxA eq 146mA).
Quiescent current	25mA (mains failed, internal sounder active, PSU & gen fault LED lit)
Alarm voltage	27V max, 20V min (final battery voltage).
Max battery size and type	2 x 12V 3.2Ah VRLA connected in series. Min. battery size 1.2Ah.
No. of detector zone circuits	8 (Max. length per circuit is 500m).
Call point resistor value	470 to 680?
Max. devices per detector zone	25 detectors (or 32 detectors/manual call points combined).
No. of conventional sounder circuits	4 (Max. length per circuit is 500m).
EOL resistor value	6800? 5% Tol. 0/25W (blue, grey, red, gold).
Max. sounder output current	4 x 200mA (800mA total).
Auxiliary relays	Two: (1) Aux. Fire; (2) Fault. Volt free single pole changeover. Max. switch current 1A; Max. switch voltage 30Vdc.
Open collector outputs	Two: (1) Reset (Active during reset cycle); (2) Remote (Active during any unsilenced fire condition provided all relevant delays have expired). Max. sink current 30mA, Max. open circuit voltage 27Vdc).
Other outputs	24V Aux. Power (Protected by a resettable fuse. 100mA min. hold current. Resets when fault removed).
Auxiliary inputs	Two: (1) 'Class Change' (constant sounders); (2) Alert (pulsed sounders). Connect to 0V to trigger, Max. input voltage 27V (non-latching).
Engineer (AL3) functions	Program coincidence (double knock); Invoke One Man Walk Test; Program delays; Set up zones for non-latching operation; Program sounders to resound (or not resound) when a new zone enters alarm; Enter fault diagnostic facilities.
Expansion connections	Yes - for optional network driver cards (one required per repeater system), relay output cards and EN54-13 sounder circuit interface boards.
Product dimensions (mm)	380 W x 235 H x D 96mm.
Construction & finish	Plastic lid and base; RAL7035 textured.
IP Rating	IP30.
Weight	1.75kg (without batteries).
Operating conditions/temperature	-5°C to +40°C. Max relative humidity: 95%.

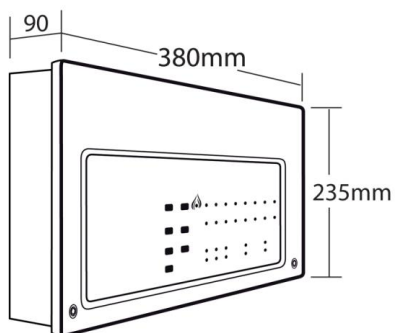


T 01942 322744 E sales@c-tec.co.uk

F 01942 829867 W www.c-tec.com



C-TEC, Challenge Way, Martland Park, Wigan, WN5 0LD United Kingdom



T 01942 322744 E sales@c-tec.co.uk
F 01942 829867 W www.c-tec.com



C-TEC, Challenge Way, Martland Park, Wigan, WN5 0LD United Kingdom