



## CEILING LOUDSPEAKER

# RLS5T/EN



Budget ceiling speaker as one-piece version, metal housing and fireproof. The mounting is via fast spring clip.



**EN54-24:2008**  
**0359-CPR-00279**  
**TYPE A**

● <b>Standard</b>	Compliant to EN54-24
● <b>Electrical</b>	
Rated power, Watts	6
Tappings 100 Volt line, Watts	6/3/1.5
Transformer Impedance, Ohms 100 Volt	1.67k/3.33k/6.66k
Tappings 70.7 Volt line, Watts	3/1.5/0.75
Driver impedance, Ohms	4
Effective Frequency Range, Hz (BSEN60268-5)	150 - 18,500
S.P.L. @ 1 m, 1 Watt, dB, Octave, 100 Hz-10 kHz	93
S.P.L. @ 1 m, Full power, dB, Octave, 100 Hz-10 kHz	101
S.P.L. @ 4 m, 1 Watt, dB, 1/3 Octave, 100 Hz-10 kHz	75
S.P.L. @ 4 m, Full power, dB, 1/3 Octave, 100 Hz-10 kHz	83
Dispersion at 1k/2k Hz, Degrees	173/139 Horizontal 184/114 Vertical
● <b>Environmental</b>	
IP Rating	21
Min/Max amb temp	-10°C to 55°C
Relative Humidity	≤95%
● <b>Mechanical</b>	
Dimensions DxT, mm	Ø186 x 60
Net weight, kg	0,59
Colour (Unless Specified)	White, RAL9016
Material	Metal with fabric cover on back
Mounting	Springs
Cut-out, mm	Ø157
Safety	Ceramic Block Thermal Fuse



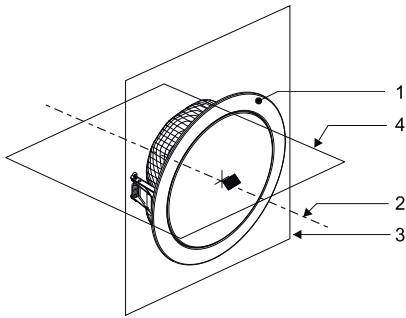
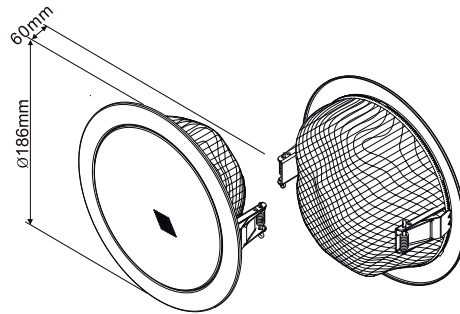
**ATEIS Europe B.V.**  
 Celsiusstraat 1, 2652 XN Lansingerland, Netherlands  
 Phone +31 (0)10 208 86 90, [www.ateis-europe.com](http://www.ateis-europe.com), [info@ateis-europe.com](mailto:info@ateis-europe.com)



# INSTALLATION GUIDE

## RLS5T/EN

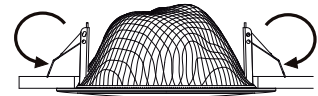
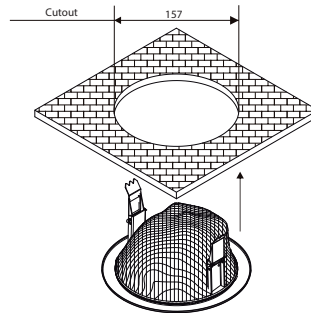
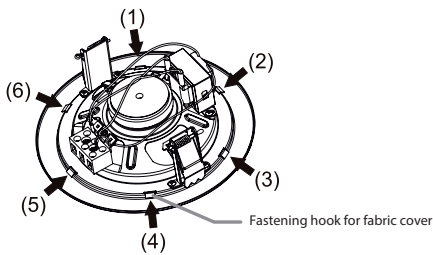
EN54-24:2008  
0359-CPR-00279  
TYPE A



1. Loudspeaker enclosure
2. Reference axis
3. Reference plane
4. Horizontal plane

With Transformer:  
100V/70V line

	White wire plus tapping			Black
100V	1.5W	3W	6W	COM
70V	0.75W	1.5W	3W	COM
IMP (Ω)	6.67k	3.33k	1.67k	



**1)** Connect the speaker to the speaker circuit via the terminal. Then place the fabric cover on the back of the speaker and secure it with the six hooks on the ring. Make sure that the speaker, transformer and terminal are covered and protected from light splashes and dust.

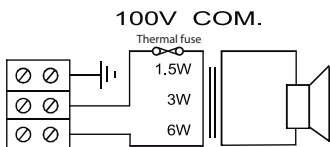
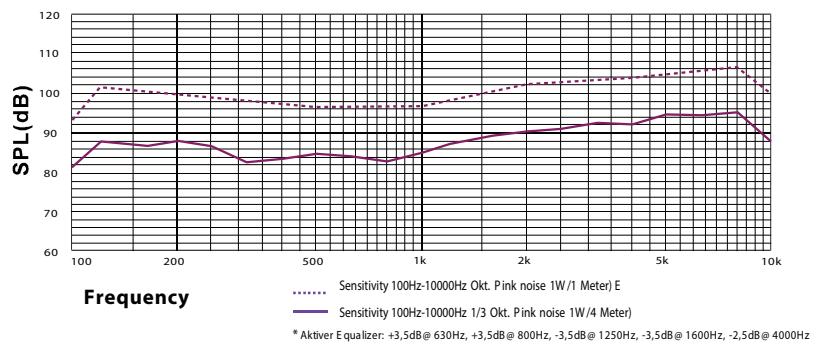
Important: The use of the fabric cover is a prerequisite for compliance with the IP degree of protection IP21C and therefore the EN54-24.

**2)** Fold up the two side snap springs and push the speaker into the ceiling cutout.

**3)** Carefully release the retaining springs so they can hold the speaker in the ceiling.

Note: The springs are under strong tension, inadvertent action injuries to the hands are possible.

### Frequency response



**Circuit Diagram**

Disclaimer: We reserve the right of changes and errors.



**ATEIS Europe B.V.**  
Celsiusstraat 1, 2652 XN Lansingerland, Netherlands  
Phone +31 (0)10 208 86 90, [www.ateis-europe.com](http://www.ateis-europe.com), [info@ateis-europe.com](mailto:info@ateis-europe.com)

