



## ABS SPHERICAL LOUDSPEAKERS

# GB15T/EN



This modern styled spherical loudspeaker is especially suitable for use in rooms with high ceilings. Due to the high opening angle it allows a uniform sound of the listening surface. The excellent distribution of the sound in combination with a balanced frequency response can solve many problems that arise in high rooms with a difficult acoustic environment. The ideal application of this loudspeaker is in large volume rooms with high ceilings, e.g. Supermarkets, department stores, waiting-rooms of e.g. Airports, factories, etc. This product is characterized by its excellent speech intelligibility and background music.



### EN54-24:2008 0359-CPR-00284 TYPE B

● <b>Standard</b>	Compliant to EN54-24 Compliant to BS5839:8
● <b>Electrical</b>	
Rated power, Watts	15
Tappings 100 Volt line, Watts	15/7.5/3.75/1.875
Transformer Impedance, Ohms 100 Volt	667/1.33/2.66/5.33
Tappings 70.7 Volt line, Watts	7.5/3.75/1.875/0.9375
Driver impedance, Ohms	8
Effective Frequency Range, Hz (BSEN60268-5)	180-20,000
S.P.L. @ 1 m, 1 Watt, dB, Octave, 100 Hz-10 kHz	92
S.P.L. @ 1 m, Full power, dB, Octave, 100 Hz-10 kHz	103
S.P.L. @ 4 m, 1 Watt, dB, 1/3 Octave, 100 Hz-10 kHz	76
S.P.L. @ 4 m, Full power, dB, 1/3 Octave, 100 Hz-10 kHz	77
Dispersion at 1k/2k Hz, Degrees	83/38 Horizontal 82/39 Vertical
● <b>Environmental</b>	
IP Rating	33
Min/Max Ambient Temp	-25°C to 70°C
Relative Humidity	≤95%
● <b>Mechanical</b>	
Dimensions, Diameter mm	Ø182
Net weight, kg	1.4
Colour	White, RAL9016
Material	Low smoke zero halogen UL-94V0 Plastic with UV inhibitors
Mounting	Pendant hung
Safety	Ceramic Block Thermal Fuse



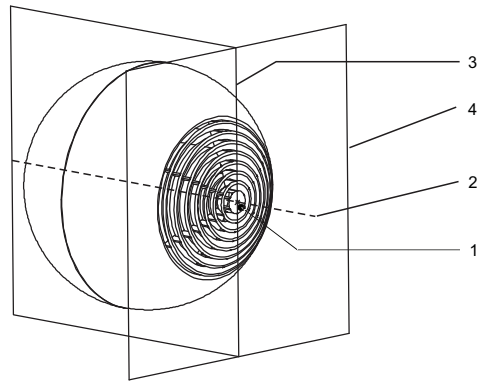
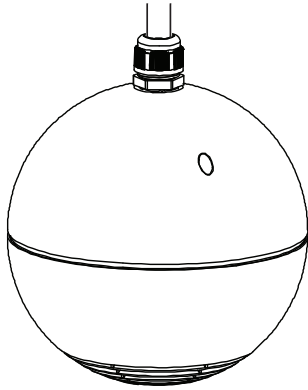
**ATEIS Europe B.V.**  
Celsiusstraat 1, 2652 XN Lansingerland, Netherlands  
Phone +31 (0)10 208 86 90, [www.ateis-europe.com](http://www.ateis-europe.com), [info@ateis-europe.com](mailto:info@ateis-europe.com)



# INSTALLATION GUIDE

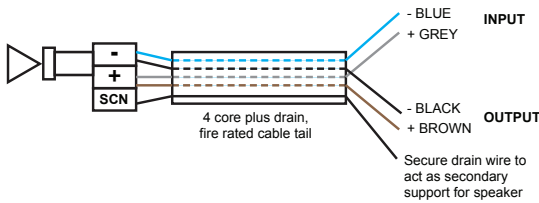
## GB15T/EN

EN54-24:2008  
0359-CPR-00284  
TYPE B



1. Loudspeaker enclosure
2. Reference axis
3. Reference plane
4. Horizontal plane

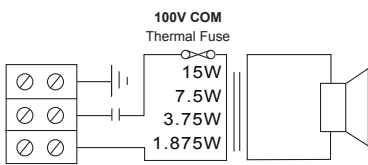
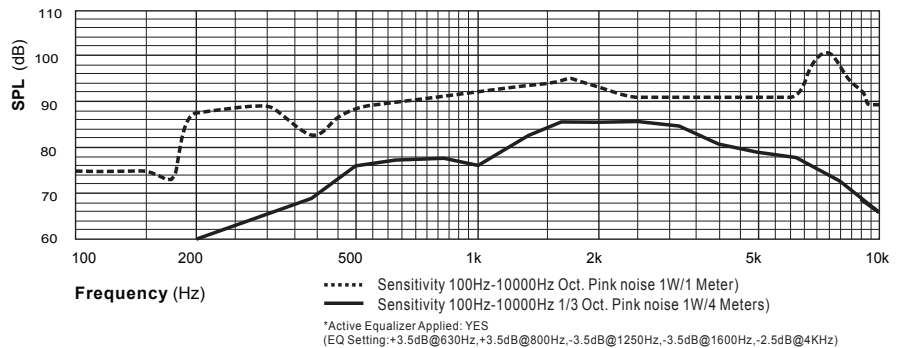
- 1) The GB15T/EN is a pendent speaker and is suspended via its connecting cable. The speaker is not supplied with a cable tail. We recommend using a 4 core plus drain wire, fire rated cable so that the speaker circuit can be looped in and out of the speaker bringing the speaker line monitoring all the way to the speaker.
- 2) Remove the lower half of the speaker by removing the screws then separate the speaker into two halves. The speaker terminations and cable gland will now be exposed for connection of the speaker cable. Please use the above circuit diagram for connection details and tapping selection.
- 3) We recommend that you fit a cable tail of the required length to the GB15T/EN. Use a junction box (not supplied) to terminate the cable tail via a suitable cable gland. The cable must be terminated at the junction box using ceramic terminals or terminals rated to a minimum of 600 degrees C or suitable to meet local fire standards. The cable tail must have a drain wire which needs to be secured in the junction box as this acts as a secondary support for the speaker.
- 4) See recommended connection details below:



### With Transformer: 100V/70V line

	White wire plus tapping				Black
100V	1.875W	3.75W	7.5W	15W	COM
70V	0.937W	1.875W	3.75W	7.5W	COM
IMP (Ω)	5.33K	2.66K	1.33K	667	

### Frequency response



**Circuit Diagram**

Disclaimer: We reserve the right of changes and errors.



**ATEIS Europe B.V.**  
Celsiusstraat 1, 2652 XN Lansingerland, Netherlands  
Phone +31 (0)10 208 86 90, [www.ateis-europe.com](http://www.ateis-europe.com), [info@ateis-europe.com](mailto:info@ateis-europe.com)

