



WEATHERPROOF HORN LOUDSPEAKER

APH20T/ENC



This compact, weatherproof Hornspeaker, specially designed for high sound reinforcement, is made of a UV-resistant, reinforced ABS plastic and has an epoxy-coated U-bracket made of stainless steel combined with a high sound pressure, it is specially designed for the reproduction of voice announcements and / or signal warnings. The loudspeaker is resistant to saline air, most non-corrosive substances and many chemicals. Therefore, e.g. can also be used in marine or industrial applications and is ideally suited for indoor and outdoor use.



EN54-24:2008
0359-CPD-0150
TYPE B

● Standard	Compliant to EN54-24 Compliant to BS 5839:8
● Electrical	
Rated power, Watts	20
Tappings 100 Volt line, Watts	20/10/5/2.5
Transformer Impedance, Ohms 100 Volt	500/1k/2k/4k
Tappings 70.7 Volt line, Watts	10/5/2.5/1.25
Driver impedance, Ohms	8
Effective Frequency Range, Hz (BSEN60268-5)	310-16,000
S.P.L. @ 1 m, 1 Watt, dB, Octave, 100 Hz-10 kHz	104
S.P.L. @ 1 m, Full power, dB, Octave, 100 Hz-10 kHz	117
S.P.L. @ 4 m, 1 Watt, dB, 1/3 Octave, 100 Hz-10 kHz	92
S.P.L. @ 4 m, Full power, dB, 1/3 Octave, 100 Hz-10 kHz	102
Dispersion at 1k/2k Hz, Degrees	111/62 Horizontal 148/84 Vertical
● Environmental	
IP-rating	66
Min/Max amb temp	-25°C to 70°C
Relative humidity	≤95%
● Mechanical	
Dimensions, WxHxD mm	219x157x259
Net weight, kg	1.7
Colour (Unless Specified)	Grey, RAL7035
Material	UL-94V0 Plastic, UV resistant
Mounting	Stainless Steel U bracket and hardware
Safety	Ceramic Block Thermal Fuse Capacitor for DC line monitoring



ATEIS Europe B.V.
 Celsiusstraat 1, 2652 XN Lansingerland, Netherlands
 Phone +31 (0)10 208 86 90, www.ateis-europe.com, info@ateis-europe.com





PENTON

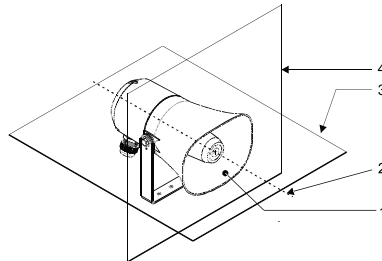
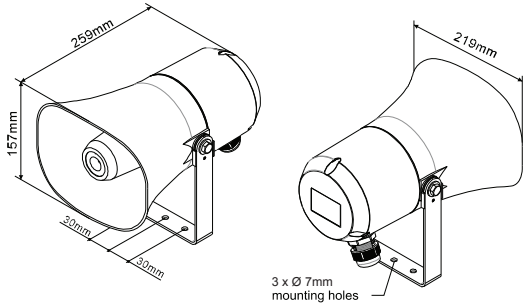
INSTALLATION GUIDE

APH20T/ENC

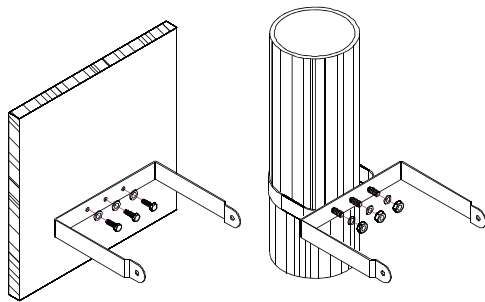
EN54-24:2008
0359-CPD-0150
TYPE B

With Transformer:
100V/70V line

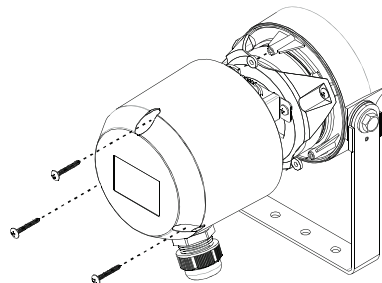
	White wire plus tapping				Black
100V	2.5W	5W	10W	20W	COM
70V	1.25W	2.5W	5W	10W	COM
IMP.(Ω)	4K	2K	1K	500	



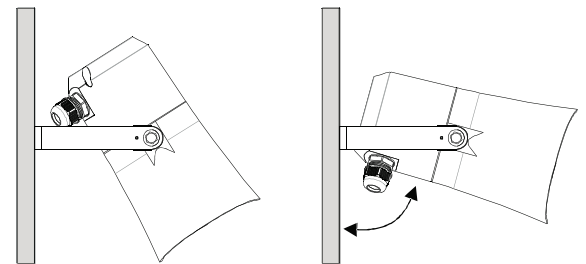
1. Loudspeaker enclosure
2. Reference axis
3. Reference plane
4. Horizontal plane



1) Remove the "U" bracket from the speaker. Align the bracket and mark the fixing points. Fix the bracket using suitable fixings (Not supplied).

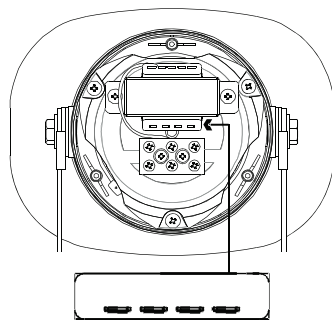


2) On removing the back lid of the horn you will observe a 3 way ceramic terminal block that is connected to the 100 volt line transformer. To select the required tapping look at the top of the transformer, you will find a selection of taps from 20 watts to 2.5 watts. To change the tapping move the female connector (white) located on the transformer to the appropriate male spade terminal. The white lead also contains a thermal fuse for circuit protection in the event of a fire.



5) Re-fit the speaker to the "U" bracket. Position the speaker to the desired angle then tighten the fixings to secure in place.

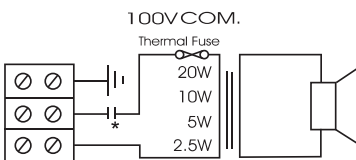
6) Before connecting the speaker circuit to the power amplifier we strongly advise that the impedance of the circuit is checked to ensure it is fault free in order to prevent damage to the speaker and or amplification.



3) On selecting the required tapping the installation cable can be fitted via a suitably rated gland into the 2 x 20mm gland entries provided on the back lid.

4) Around the inner section of the chamber where the back lid was removed a rubber gasket is located; please make sure that it is in place when re-fitting the back lid to avoid water penetration. There is a fibreglass sleeve covering the central mounting bolt, it is important that this cover is used as it protects the transformer.

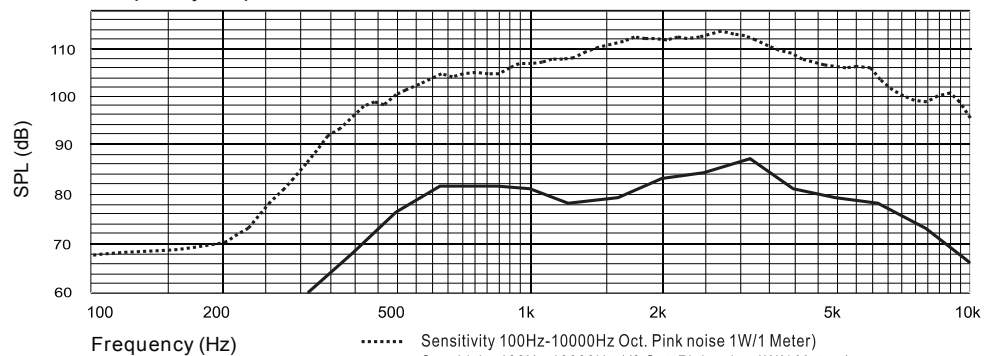
20W 10W 5W 2.5W



APH20T/ENC
* with capacitor

Circuit Diagram

Frequency response



..... Sensitivity 100Hz-10000Hz Oct. Pink noise 1W/1 Meter)

———— Sensitivity 100Hz-10000Hz 1/3 Oct. Pink noise 1W/4 Meters)

*Active Equalizer Applied: YES

(EQ Setting: +3.5dB@630Hz, +3.5dB@800Hz, -3.5dB@1250Hz, -3.5dB@1600Hz, -2.5dB@4KHz)

Disclaimer: We reserve the right of changes and errors.



ATEiS Europe B.V.
Celsiusstraat 1, 2652 XN Lansingerland, Netherlands
Phone +31 (0)10 208 86 90, www.ateis-europe.com, info@ateis-europe.com

