



## CEILING-MOUNTED LOUDSPEAKER

# RGS6FT/EN

RGS6FT/EN is an attractive ceiling-mounted loudspeaker in a metal version. This product with the well-known bayonet System fits in visually very well in our existing product lines. Three metal snap springs allow a safe and even fit of these built-in loudspeakers. The high-quality loudspeaker broadband chassis and the 100 V transformer form a unit with the front grille, which lock the system with the bayonet on the mounting ring.



### EN54-24:2008 0359-CPD-0136 TYPE A

● <b>Standard</b>	Compliant to EN54-24 Compliant to BS5839:8
● <b>Electrical</b>	
Rated power, Watts	6
Tappings 100 Volt line, Watts	6/3/1.5/0.75/0,25
Transformer Impedance, Ohms 100 Volt	1,67k/3.33k/6.67k/13.3k/40k
Tappings 70.7 Volt line, Watts	3/1.5/0.75/0.375/0.125
Driver impedance, Ohms	8
Effective Frequency Range, Hz (BSEN60268-5)	100-17.500
S.P.L. @ 1 m, 1 Watt, dB, Octave, 100 Hz-10 kHz	94
S.P.L. @ 1 m, Full power, dB, Octave, 100 Hz-10 kHz	102
S.P.L. @ 4 m, 1 Watt, dB, 1/3 Octave, 100 Hz-10 kHz	81
S.P.L. @ 4 m, Full power, dB, 1/3 Octave, 100 Hz-10 kHz	85
Dispersion at 1k/2k Hz, Degrees	169/95 Horizontal 170/96 Vertical
● <b>Environmental</b>	
IP Rating	21
Min/Max amb temp	-10°C to 55°C
Relative Humidity	≤95%
● <b>Mechanical</b>	
Dimensions, mm	Ø215 x 106
Net weight, kg	1.35
Colour (Unless Specified)	White, RAL9016
Material	Steel
Mounting	Bayonet system with 3 retaining springs
Cut-out, mm	Ø195
Safety	Ceramic Block Thermal Fuse



**ATEIS Europe B.V.**  
Celsiusstraat 1, 2652 XN Lansingerland, Netherlands  
Phone +31 (0)10 208 86 90, [www.ateis-europe.com](http://www.ateis-europe.com), [info@ateis-europe.com](mailto:info@ateis-europe.com)



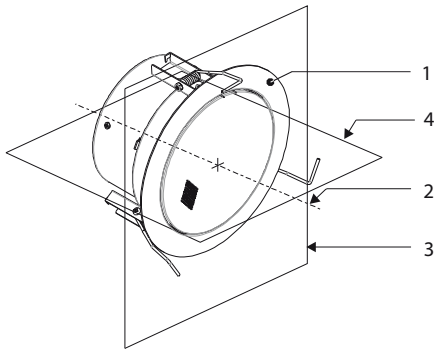
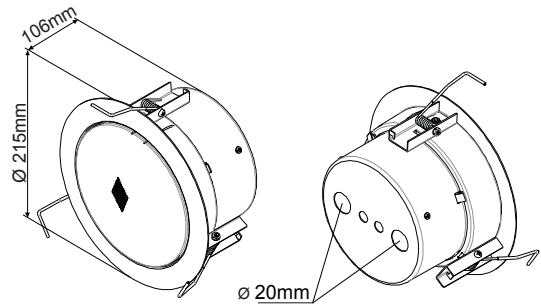


**PENTON**

# INSTALLATION GUIDE

## RGS6FT/EN

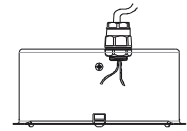
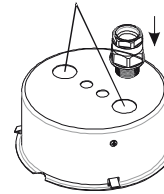
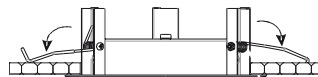
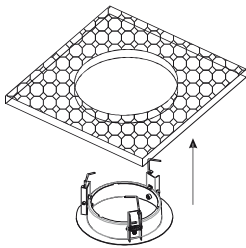
EN54-24:2008  
0359-CPD-0136  
TYPE A



1. Loudspeaker enclosure
2. Reference axis
3. Reference plane
4. Horizontal plane

**With Transformer:  
100V/70V line**

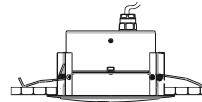
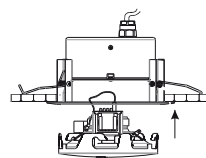
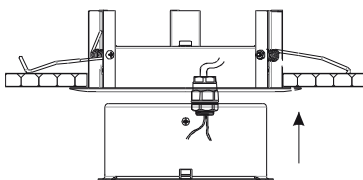
	White wire plus tapping						Black
100V	0.25W	0.75W	1.5W	3W	6W	COM	
70V	0.125W	0.375W	0.75W	1.5W	3W	COM	
IMP (Ω)	40k	13.3k	6.67k	3.33k	1.67k		



**1)** Place the ceiling cutout (195 mm) and insert the mounting ring.

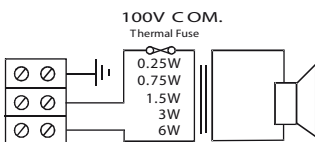
**2)** Release the springs from the brackets.

**3)** Insert the cable gland(s) into the receptacle(s).



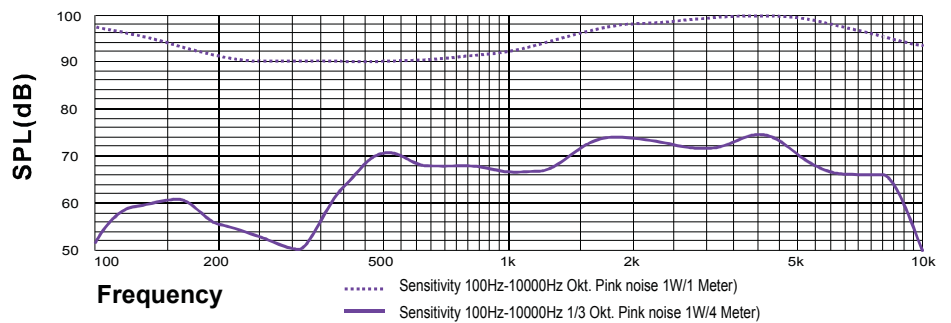
**5)** Insert the front part from below into the mounting ring and turn it slightly until a secure fit is ensured.

**4)** Push the fire dome into the mounting ring from below until it clicks into place.



**Circuit Diagram**

### Frequency response



Disclaimer: We reserve the right of changes and errors.



**ATEIS Europe B.V.**  
Celsiusstraat 1, 2652 XN Lansingerland, Netherlands  
Phone +31 (0)10 208 86 90, [www.ateis-europe.com](http://www.ateis-europe.com), [info@ateis-europe.com](mailto:info@ateis-europe.com)

