

## DS-3E0518P-E

# 16-Port Gigabit Unmanaged PoE Switch

DS-3E0518P-E switches are layer 2 gigabit PoE unmanaged switches, providing 16 gigabit PoE ports, one 10/100/1000 Mbps RJ45 port, and one 10/100/1000 Mbps SFP fiber optical port. The switches provide advanced PoE technology and connect other devices with high performance. Meanwhile, all gigabit ports guarantee stable transmission of data.



### Feature and Function

- 16 × gigabit PoE ports, 1 × gigabit RJ45 port, and 1 × gigabit SFP fiber optical port.
- IEEE 802.3at/af standard.
- IEEE 802.3, IEEE 802.3u, IEEE 802.3x, IEEE 802.3ab, and IEEE 802.3z standard.
- PoE port with 6 KV surge protection.
- PoE output power management.
- Gigabit network access.
- Wire-speed forwarding and non-blocking design.
- Store-and-forward switching.
- Solid high-strength metal shell.

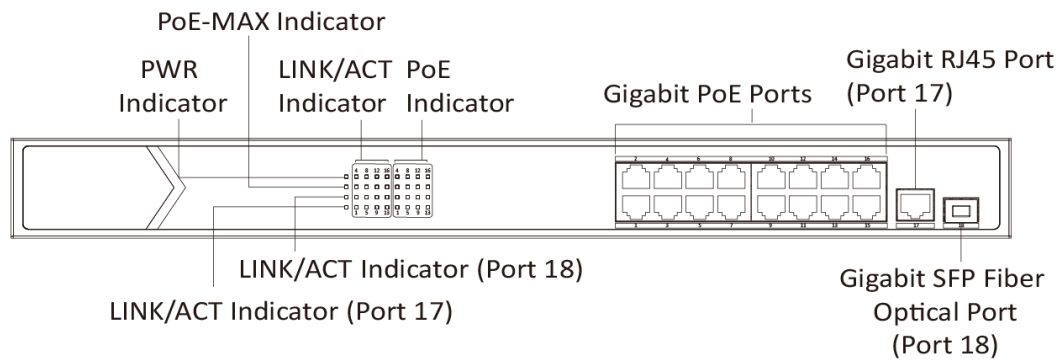


## Specification

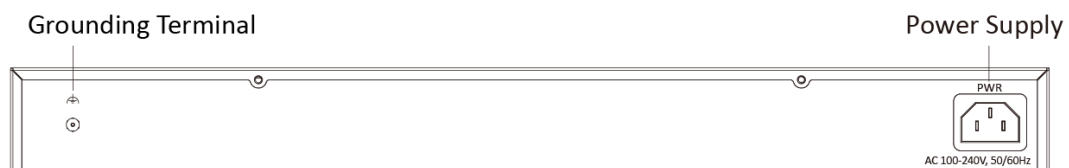
Model	DS-3E0518P-E	
Network parameters	Port number	16 × gigabit PoE ports, 1 × gigabit RJ45 port, and 1 × gigabit SFP fiber optical port
	Port type	RJ45 port, full duplex, MDI/MDI-X adaptive
	Standard	IEEE 802.3, IEEE 802.3u, IEEE 802.3x, IEEE 802.3ab, IEEE 802.3z
	Forwarding mode	Store-and-forward switching
	MAC address table	8 K
	Switching capacity	36 Gbps
	Packet forwarding rate	26.784 Mpps
	Internal cache	4.1 Mbits
PoE power supply	PoE standard	IEEE 802.3af, IEEE 802.3at
	PoE power pin	Support 4-core power supply, and Ethernet cable 1/2/3/6 provide power supply.
	PoE port	Ports 1 to 16
	Max. port power	30 W
	PoE power budget	230 W
	Max. power consumption	250 W
General	Shell	Metal material
	Weight	2.67 kg (5.89 lb)
	Dimensions (L × H × D)	440 mm × 44 mm × 220.8 mm (17.3" × 1.7" × 8.7")
	Operating temperature	0°C to 40°C (32°F to 104°F)
	Storage temperature	−40°C to 85°C (−40°F to 185°F)
	Operating humidity	5% to 95% (no condensation)
	Storage humidity	5% to 95% (no condensation)
	Power supply	100 to 240 VAC, 50/60 Hz, Max. 4 A
	Power consumption	250 W

## Physical Interface

Front panel:



Back panel:



## Available Model

- DS-3E0518P-E

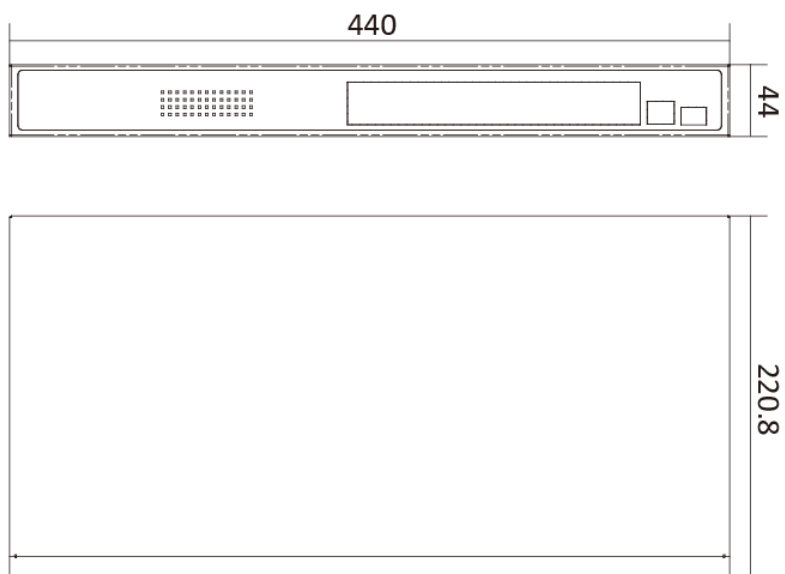
## Optional Accessory

SFP Module	Fiber type	Connector	Date Rate	Wavelength	Distance
HK-SFP-1.25G-20-1310	Single fiber, Single-mode	LC	1250 Mbps	Tx1310nm/Rx1550nm	0 to 20 km
HK-SFP-1.25G-20-1550	Single fiber, Single-mode	LC	1250 Mbps	Tx1550nm/Rx1310nm	0 to 20 km
HK-SFP-1.25G-1310-DF-MM	Duplex fiber, Multi-mode	LC	1250 Mbps	Tx1310nm/Rx1310nm	0 to 1 km
HK-SFP-1.25G-1310-DF	Duplex fiber, Single-mode	LC	1250 Mbps	Tx1310nm/Rx1310nm	0 to 20 km

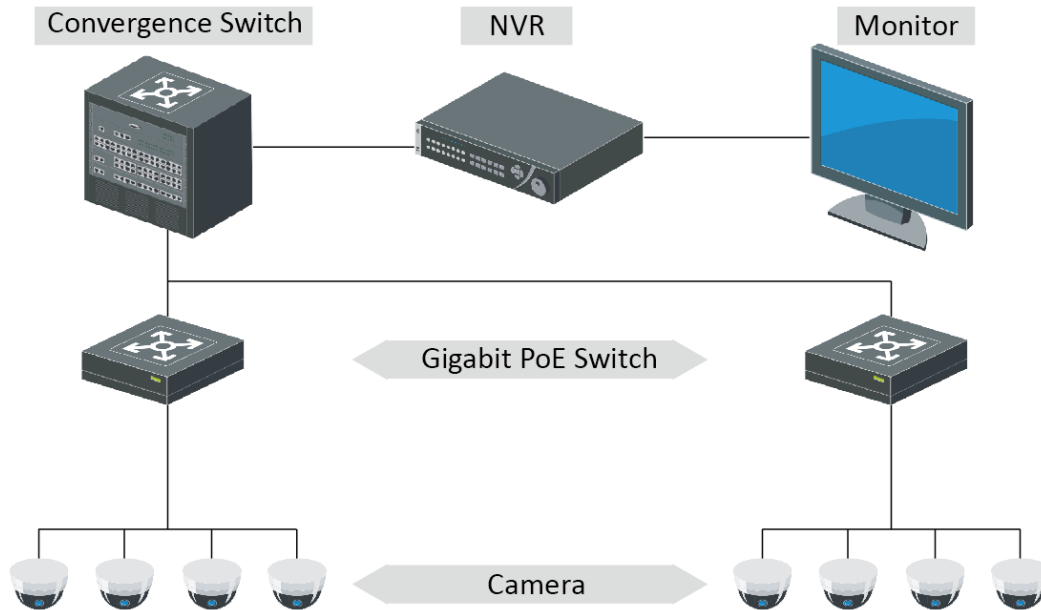
### NOTE

HK-SFP-1.25G-20-1310 has to work with HK-SFP-1.25G-20-1550 as a pair.

**Dimension (unit: mm)**



## Typical Application



Distributed by



## HIKVISION®

### Headquarters

No.555 Qianmo Road, Binjiang District,  
Hangzhou 310051, China  
T +86-571-8807-5998  
overseasbusiness@hikvision.com

**Hikvision USA**  
T +1-909-895-0400  
sales.usa@hikvision.com

**Hikvision Australia**  
T +61-2-8599-4233  
salesau@hikvision.com

**Hikvision India**  
T +91-22-28469900  
sales@pramahikvision.com

**Hikvision Canada**  
T +1-866-200-6690  
sales.canada@hikvision.com

**Hikvision Thailand**  
T +662-275-9949  
sales.thailand@hikvision.com

**Hikvision Europe**  
T +31-23-5542770  
sales.eu@hikvision.com

**Hikvision Italy**  
T +39-0438-6902  
info.it@hikvision.com

**Hikvision Brazil**  
T +55 11 3318-0050  
Latam.support@hikvision.com

**Hikvision Turkey**  
T +90 (216)521 7070- 7074  
sales.tr@hikvision.com

**Hikvision Malaysia**  
T +601-7652-2413  
sales.my@hikvision.com

**Hikvision UK & Ireland**  
T +01628-902140  
sales.uk@hikvision.com

**Hikvision South Africa**  
Tel: +27 (10) 0351172  
sale.africa@hikvision.com

**Hikvision France**  
T +33(0)1-85-330-450  
info.fr@hikvision.com

**Hikvision Kazakhstan**  
T +7-727-9730667  
nikia.panfilov@hikvision.ru

**Hikvision Vietnam**  
T +84-974270888  
sales.vt@hikvision.com

**Hikvision UAE**  
T +971-4-4432090  
salesme@hikvision.com

**Hikvision Singapore**  
T +65-6684-4718  
sg@hikvision.com

**Hikvision Spain**  
T +34-91-737-16-55  
info.es@hikvision.com

**Hikvision Tashkent**  
T +99-87-1238-9438  
uzb@hikvision.ru

**Hikvision Hong Kong**  
T +852-2151-1761  
info.hk@hikvision.com

**Hikvision Russia**  
T +7-495-669-67-99  
saleru@hikvision.com

**Hikvision Korea**  
T +82-(0)31-731-8817  
sales.korea@hikvision.com

**Hikvision Poland**  
T +48-22-460-01-50  
info.pl@hikvision.com

**Hikvision Indonesia**  
T +62-21-2933759  
Sales.Indonesia@hikvision.com

**Hikvision Colombia**  
sales.colombia@hikvision.com